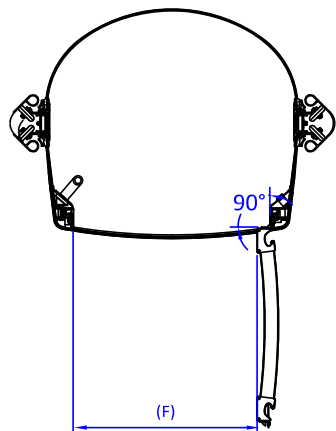
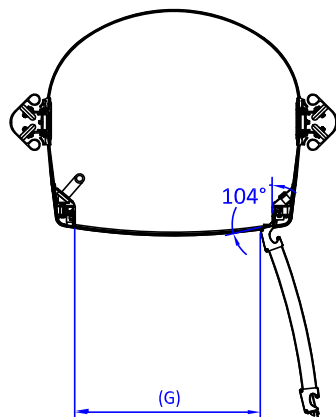


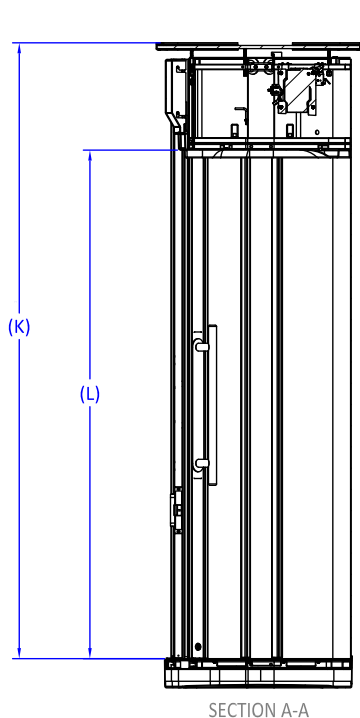
Duo+ Lift Top View
90° Door Opening



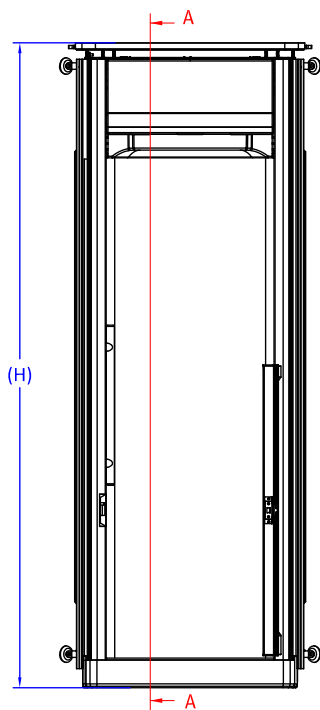
Duo+ Lift Top View
Max. Degree Door Opening



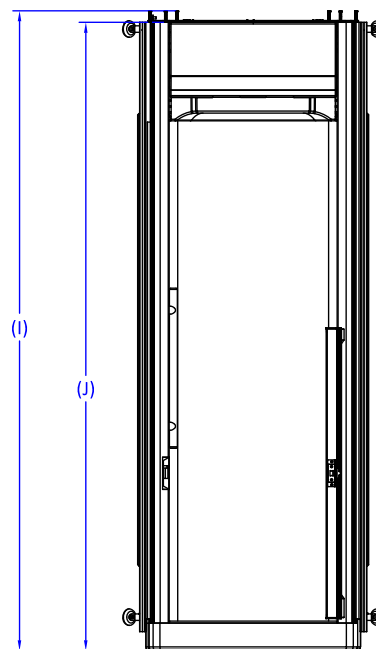
Master Dimensions for Duo+ / Duo Alta		
Dim	Description	Value
A	External Car Depth - maximum depth of Safety Underpan	732mm (28-13/16")
B	Internal Car Depth - rear of Polycarbonate Panel to inside of Cab Gate/Door curved mid-section	673mm (26-1/2")
C	Internal Car Depth - rear of Polycarbonate Panel to inside of Cab Gate/Door flat uprights	649mm (25-9/16")
D	Internal Car Depth behind Light Curtain - rear of Polycarbonate Panel to inside edge of Light Curtains	634mm (24-15/16")
E	Internal Car Width - between inner face of Side Channel Covers	779mm (30-11/16")
F	Entrance Width - with Car Gate/Door opened to 90 degrees	587mm (23-1/8")
G	Entrance Width - with Car Gate/Door opened to 104 degrees	590mm (23-1/4")
H	External Lift Height including Shaft Lid - Safety Underpan not compressed	2456mm (96-11/16")
I	External Lift Height excluding Shaft Lid - Safety Underpan not compressed to Top of the Shaft Lid Interrupt Limit Spring Bolts	2437mm (95-15/16")
J	External Lift Height excluding Shaft Lid and Extreme Upper Limit - Safety Underpan not compressed to Top of the Corner Stiles/Polycarbonate	2393mm (94-3/16")
K	Height from the Top of the Shaft Lid to the Car Floor	2345mm (92-5/16")
L	Internal Car Height - maximum from the underside of the Ceiling Panel to the Car Floor	1937mm (76-1/4")



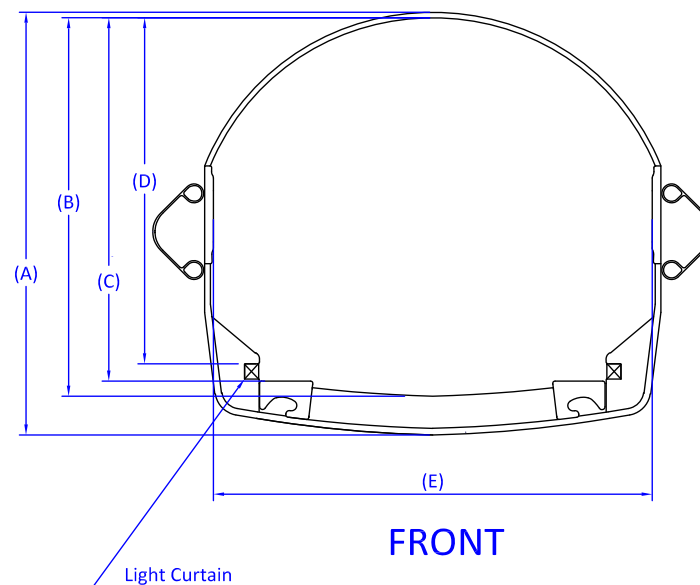
Duo+ Lift with Shaft lid



Duo+ Lift with Shaft lid



Duo+ Lift without Shaft lid

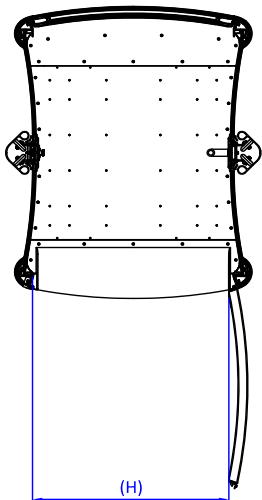


The information contained herein is the exclusive property of Stiltz Ltd. and shall not be distributed, reproduced, or disclosed in whole or in part without prior written permission of Stiltz Ltd.

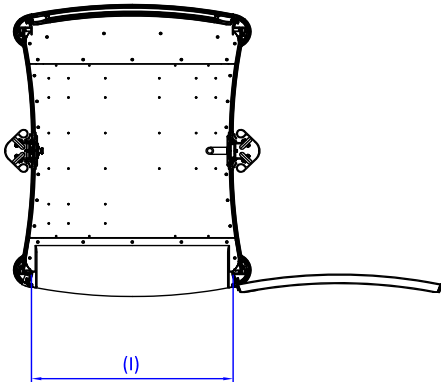


© Stiltz Ltd. 2020		TITLE DUO+ / Alta Dimensions	
Drawn Wagon Wang	Date 07/01/2020	A4	Dwg No
THIRD ANGLE PROJECTION - AS 1100			SCALE:

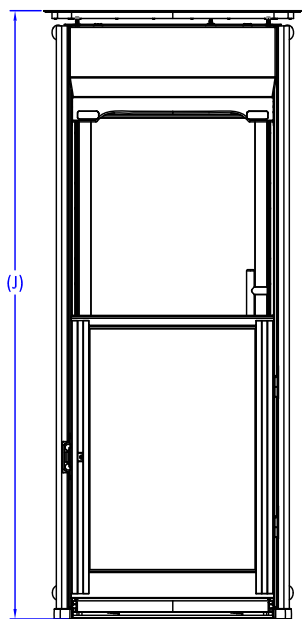
Trio+ Lift Top View
90° Door Opening



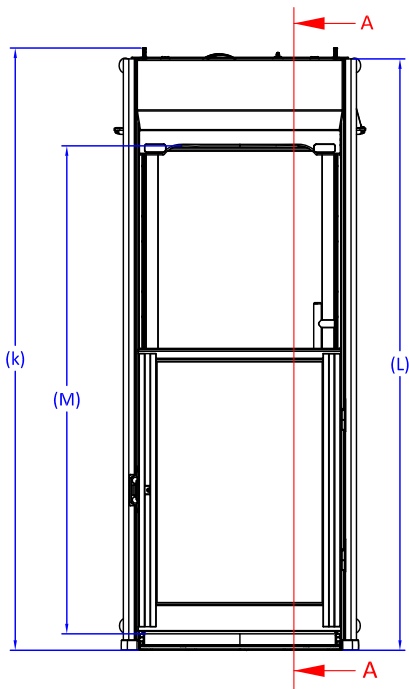
Trio+ Lift Top View
180° Door Opening



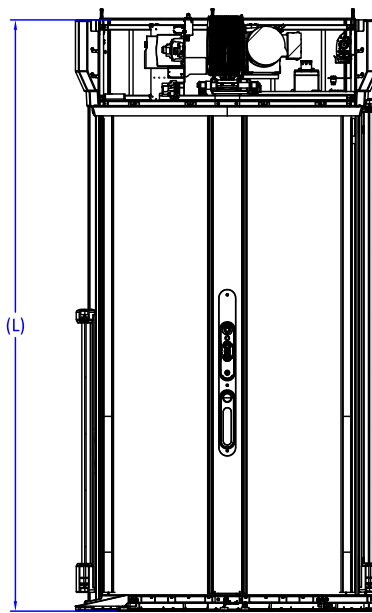
Master Dimensions for Trio+ / Trio Alta		
Dim	Measurement	Value
A	External Car Depth - maximum depth of Safety Underpan	1241mm (48-7/8")
B	Internal Car Depth - rear of Back Panel/Cab Gate/Door to inside of Cab Gate/Door curved mid-section	1147mm (45-3/16")
C	Internal Car Depth behind Ramp - top of Ramp to the Flat Sections of the Rear Panel/Cab Gate/Door	905mm (35-5/8")
D	Internal Car Depth behind Light Curtain - Flat Sections of Rear Panel/Car Gate/Door to Light Curtains (add 1-1/4" for Thru Car Light Curtains)	1044mm (41-1/8")
E	Internal Car Depth - Flat Sections of Rear Panel/Car Gate/Door to Flat Sections of Car Gate/Door extrusions	1074mm (42-1/4")
F	External Car Width - from outside edges of the External Corner Covers	967mm (38-1/16")
G	Internal Car Width - between inner face of Side Channel Covers (excludes Emergency Stop Button, Grab Rail and Seat (if fitted))	773mm (30-7/16")
H	Entrance Width - with Car Gate/Door opened to 90 degrees	800mm (31-1/2")
I	Entrance Width - with Car Gate/Door opened to 180 degrees	821mm (32-5/16")
J	External Lift Height including Shaft Lid - With/Without Ramp and Safety Underpan not compressed	2420mm (95-1/4")
K	External Lift Height excluding Shaft Lid - With/Without Ramp to Top of the Shaft Lid Interrupt Limit Spring Bolts and Safety Underpan compressed	2395mm (94-5/16")
L	External Lift Height excluding Shaft Lid and Extreme Upper Limit - to Top of the Corner Stiles/Polycarbonate and Safety Underpan compressed	2352mm (92-5/8")
M	Internal Car Height - maximum from the underside of the Ceiling Panel to the Car Floor	1941mm (76-7/16")



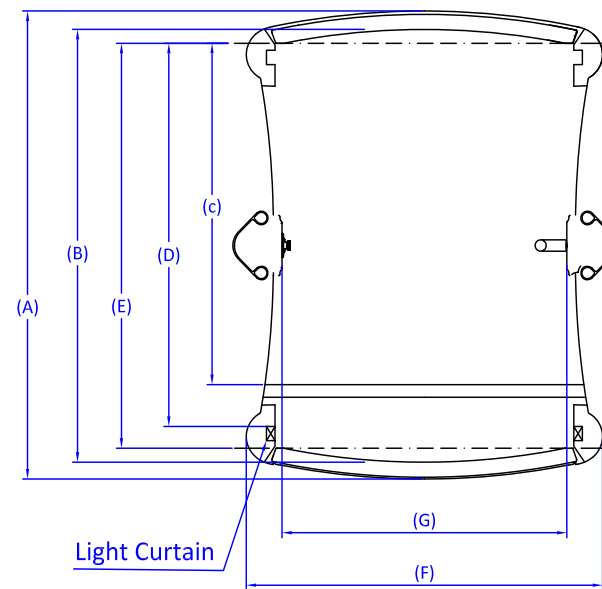
Trio+ Lift with Shaft lid



Trio+ Lift without Shaft lid



SECTION A-A



FRONT



The information contained herein is the exclusive property of Stiltz Ltd. and shall not be distributed, reproduced, or disclosed in whole or in part without prior written permission of Stiltz Ltd.



© Stiltz Ltd. 2020		TITLE	
Drawn Wagon Wang		Date 07/01/2020	
THIRD ANGLE PROJECTION - AS 1100		Trio +/- Alta Dimensions	
DIMENSIONS IN MM UNLESS OTHERWISE NOTED		A4	Dwg No
			SCALE:
			PAGE 1 OF 1